

SECTION A-A

Refer to <http://www.planetklx.com/techtips/kx-to-klx-forkswap.shtml> for more details, instructions and photos.

APPLICATION NOTES:

ADAPTING 1994 KX250 FRONT FORKS (ϕ 43mm) ONTO THE KLX300.

RETAINS THE KLX300 STOCK FRONT AXLE & WHEEL.

KX FORK TUBES BOLT INTO KLX TRIPLE CLAMPS.

RETAIN THE STOCK STEERING GEOMETRY BY SHORTENING THE KX FORKS BY 1.25" (31.75mm) BY INSERTING FORK SPACER (-0001), ONE PER TUBE.

USE KLX300 STOCK LENGTH FORK SPRINGS.

PARTS REQUIRED

- Qty 2 : Fork Spacer -0001
- Qty 1 : Left Axle Spacer -0002
- Qty 1 : Right Axle Spacer -0003

DIMENSIONS ARE IN INCHES
[MILLIMETERS IN BRACKETS]

CAD GENERATED DRAWING,
DO NOT MANUALLY UPDATE

DO NOT SCALE DRAWING

NAME	e-MAIL		DATE
AUTHOR: Bruce Brazil	ibrew@sbcglobal.net		May 27, 2006
DRAWN: Adam Reif	1adam12@designmassif.com		May 27, 2006
NON-PROPRIETARY THE INFORMATION CONTAINED IN THIS DRAWING IS FOR THE EXPLICIT USE OF ALL KLX RIDERS IN THE UNIVERSE. ANY REPRODUCTION IN PART OR AS A WHOLE WITHOUT THE WRITTEN PERMISSION OR CONCENT OF PlanetKLX IS ENCOURAGED.	UNLESS OTHERWISE SPECIFIED TOLERANCES SHOWN ARE:		
	STANDARD	METRIC	ANGLES
	.X = ± .050	.X = ± 1.3mm	± 0° 30"
	.XX = ± .025	.XX = ± .63mm	
.XXX = ± .010	.XXX = ± .25mm		
MATERIAL	ALUMINUM 6061-T6		
FINISH	RMS-63 μin [RMS-1.6 μm]		
WEIGHT	23 grams		

Planet KLX
www.planetklx.com

TITLE: **SPACER, FORK**

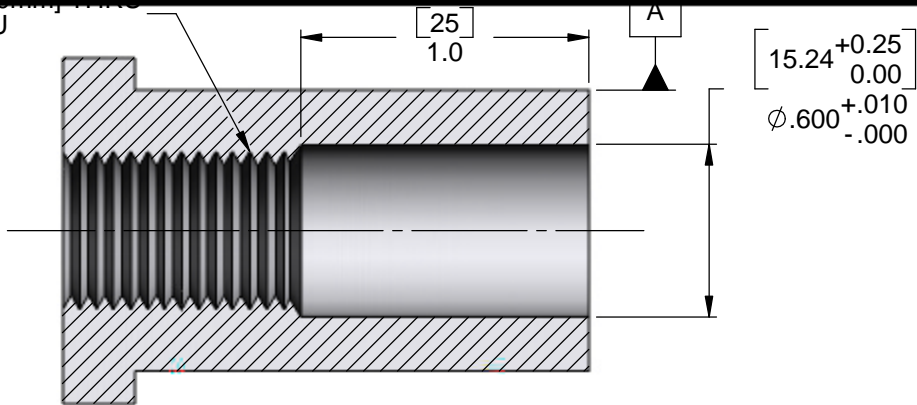
SIZE	DWG. NO.	REV
A	KLX300-0001	A

SCALE 3:2

SHEET 1 OF 3

TAP M14x1.5 THRU

Ⓢ .001 [.025] A



SECTION B-B

NOTE: M14x1.5 TAP AVAILABILITY

Use-Enco.com P/N 311-4331 \$10
 McMaster.com P/N 26015A251 \$24
 MSC-Direct.com P/N 74990938 \$25

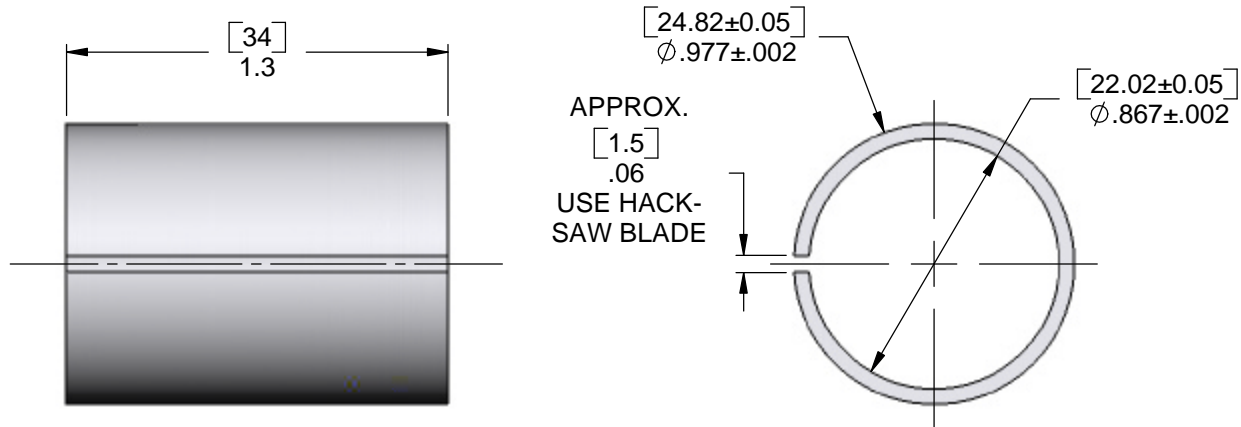
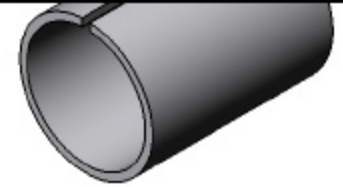
Refer to <http://www.planetklx.com/techtips/kx-to-klx-forkswap.shtml>
 for more details, instructions and photos.

DIMENSIONS ARE IN INCHES
 [MILLIMETERS IN BRACKETS]

CAD GENERATED DRAWING,
 DO NOT MANUALLY UPDATE

DO NOT SCALE DRAWING

NAME	e-MAIL	DATE	Planet KLX www.planetklx.com		
AUTHOR: Bruce Brazil	ibrew@sbcglobal.net	May 27, 2006	TITLE: AXLE SPACER, LEFT		
DRAWN: Adam Reif	1adam12@designmassif.com	May 27, 2006			
NON-PROPRIETARY THE INFORMATION CONTAINED IN THIS DRAWING IS FOR THE EXPLICIT USE OF ALL KLX RIDERS IN THE UNIVERSE. ANY REPRODUCTION IN PART OR AS A WHOLE WITHOUT THE WRITTEN PERMISSION OR CONCENT OF PlanetKLX IS ENCOURAGED.	UNLESS OTHERWISE SPECIFIED TOLERANCES SHOWN ARE:		MATERIAL ALUMINUM 6061-T6	FINISH RMS-63 μin [RMS-1.6 μm]	SIZE A
	STANDARD	METRIC	ANGLES	WEIGHT	DWG. NO. KLX300-0002
	.X = ± .050 .XX = ± .025 .XXX = ± .010	.X = ± 1.3mm .XX = ± .63mm .XXX = ± .25mm	± 0° 30"	45 grams	REV A
	SCALE 3:2		SHEET 2 OF 3		



Refer to <http://www.planetklx.com/techtips/kx-to-klx-forkswap.shtml> for more details, instructions and photos.

DIMENSIONS ARE IN INCHES
[MILLIMETERS IN BRACKETS]

CAD GENERATED DRAWING,
DO NOT MANUALLY UPDATE

DO NOT SCALE DRAWING

NAME		e-MAIL		DATE		<h1>Planet KLX</h1> <p>www.planetklx.com</p>															
AUTHOR: Bruce Brazil		ibrew@sbcglobal.net		May 27, 2006																	
DRAWN: Adam Reif		1adam12@designmassif.com		May 27, 2006																	
<p>NON-PROPRIETARY</p> <p>THE INFORMATION CONTAINED IN THIS DRAWING IS FOR THE EXPLICIT USE OF ALL KLX RIDERS IN THE UNIVERSE. ANY REPRODUCTION IN PART OR AS A WHOLE WITHOUT THE WRITTEN PERMISSION OR CONCENT OF PlanetKLX IS ENCOURAGED.</p>		<p>UNLESS OTHERWISE SPECIFIED TOLERANCES SHOWN ARE:</p> <table border="1"> <thead> <tr> <th>STANDARD</th> <th>METRIC</th> <th>ANGLES</th> </tr> </thead> <tbody> <tr> <td>.X = ± .050</td> <td>.X = ± 1.3mm</td> <td rowspan="3">± 0° 30"</td> </tr> <tr> <td>.XX = ± .025</td> <td>.XX = ± .63mm</td> </tr> <tr> <td>.XXX = ± .010</td> <td>.XXX = ± .25mm</td> </tr> </tbody> </table>			STANDARD	METRIC	ANGLES	.X = ± .050	.X = ± 1.3mm	± 0° 30"	.XX = ± .025	.XX = ± .63mm	.XXX = ± .010	.XXX = ± .25mm	<p>MATERIAL ALUMINUM 6061-T6</p> <p>FINISH RMS-63 μm [RMS-1.6 μm]</p> <p>WEIGHT 9 grams</p>		<p>TITLE: AXLE SPACER, RIGHT</p> <table border="1"> <tr> <td>SIZE A</td> <td>DWG. NO. KLX300-0003</td> <td>REV A</td> </tr> </table>		SIZE A	DWG. NO. KLX300-0003	REV A
STANDARD	METRIC	ANGLES																			
.X = ± .050	.X = ± 1.3mm	± 0° 30"																			
.XX = ± .025	.XX = ± .63mm																				
.XXX = ± .010	.XXX = ± .25mm																				
SIZE A	DWG. NO. KLX300-0003	REV A																			
				SCALE 3:2		SHEET 3 OF 3															